



# SD1728 (TH430)

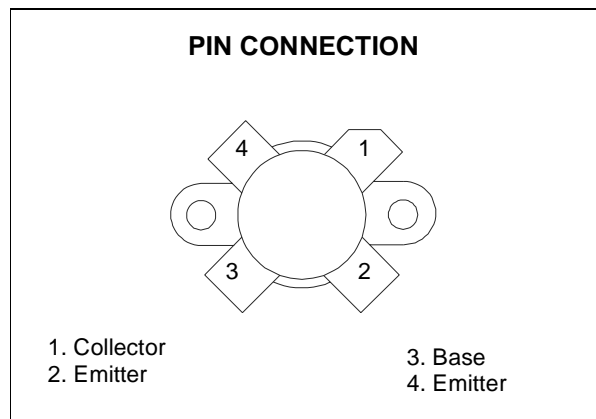
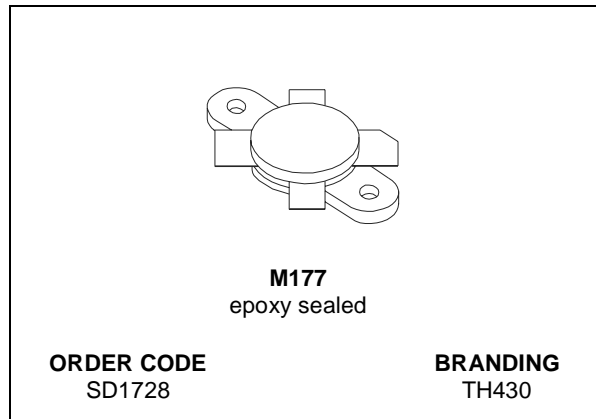
## RF & MICROWAVE TRANSISTORS

### HF SSB APPLICATION

- OPTIMIZED FOR SSB
- 30 MHz
- 50 V
- IMD = -30 dB
- GOLD METALLIZATION
- COMMON EMITTER
- P<sub>OUT</sub> = 250 W PEP WITH 14.5 dB GAIN

#### DESCRIPTION

The SD1728 is a 50 V epitaxial silicon NPN planar transistor designed primarily for SSB and VHF communications. This device utilizes emitter ballasting for improved ruggedness and reliability.



#### ABSOLUTE MAXIMUM RATINGS (T<sub>CASE</sub> = 25 °C)

Symbol	Parameter	Value	Unit
V <sub>CBO</sub>	Collector-Base Voltage	110	V
V <sub>CEO</sub>	Collector-Emitter Voltage	55	V
V <sub>EBO</sub>	Emitter-Base Voltage	4.0	V
I <sub>C</sub>	Device Current	40	A
P <sub>DISS</sub>	Power Dissipation	330	W
T <sub>j</sub>	Max. Operating Junction Temperature	200	°C
T <sub>STG</sub>	Storage Temperature	-65 to +150	°C

#### THERMAL DATA

R <sub>th(j-c)</sub>	Junction -Case Thermal Resistance	0.4	°C/W
----------------------	-----------------------------------	-----	------

## SD1728 (TH430)

### ELECTRICAL SPECIFICATION ( $T_{CASE} = 25\text{ }^{\circ}\text{C}$ )

#### STATIC

Symbol	Test Conditions	Min.	Typ.	Max.	Unit
$BV_{CES}$	$I_C = 200\text{ mA}$ $V_{BE} = 0\text{ V}$	110			V
$BV_{CEO}$	$I_C = 200\text{ mA}$ $I_B = 0\text{ mA}$	55			V
$BV_{EBO}$	$I_E = 20\text{ mA}$ $I_C = 0\text{ mA}$	4.0			V
$I_{CEO}$	$V_{CE} = 30\text{ V}$ $I_E = 0\text{ mA}$	1.5		10	mA
$I_{CES}$	$V_{CE} = 60\text{ V}$ $I_E = 0\text{ mA}$			10	mA
$h_{FE}$	$V_{CE} = 6\text{ V}$ $I_C = 10\text{ A}$	15		45	

#### DYNAMIC

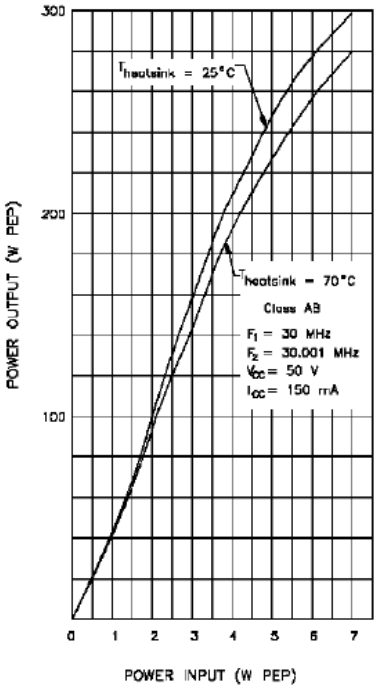
Symbol	Test Conditions	Min.	Typ.	Max.	Unit
$P_{OUT}$	$V_{CC} = 50\text{ V}$ $I_{CQ} = 150\text{ mA}$ $f = 30\text{ MHz}$	250			W
$G_P^*$	$V_{CC} = 50\text{ V}$ $I_{CQ} = 150\text{ mA}$ $P_{OUT} = 250\text{ W PEP}$	14.5			dB
$IMD^*$	$V_{CC} = 50\text{ V}$ $I_{CQ} = 150\text{ mA}$ $P_{OUT} = 250\text{ W PEP}$			-30	dBc
$\eta_C^*$	$V_{CC} = 50\text{ V}$ $I_{CQ} = 150\text{ mA}$ $P_{OUT} = 250\text{ W PEP}$	37			%
$C_{OB}$	$V_{CB} = 50\text{ V}$ $f = 1\text{ MHz}$			360	pF

\* Two Tone Method;  $f_1 = 30.00\text{ MHz}$ ;  $f_2 = 30.001\text{ MHz}$   
In Class C: GP Min. 13.5 dB, Efficiency 65% @ 30 MHz  
GP Min. 10 dB, Efficiency 57% @ 70 MHz

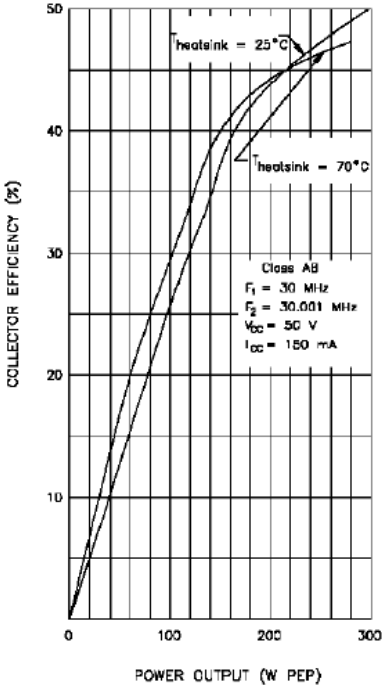
TYPICAL PERFORMANCE

CLASS AB

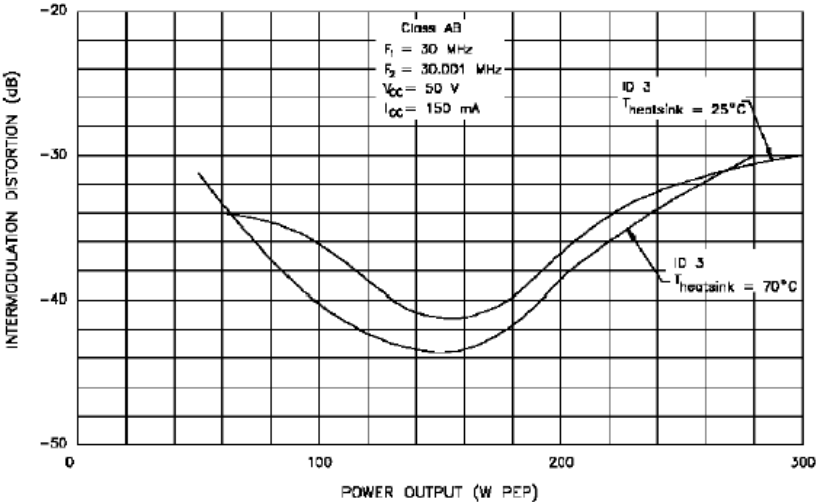
POWER OUTPUT PEP vs POWER INPUT



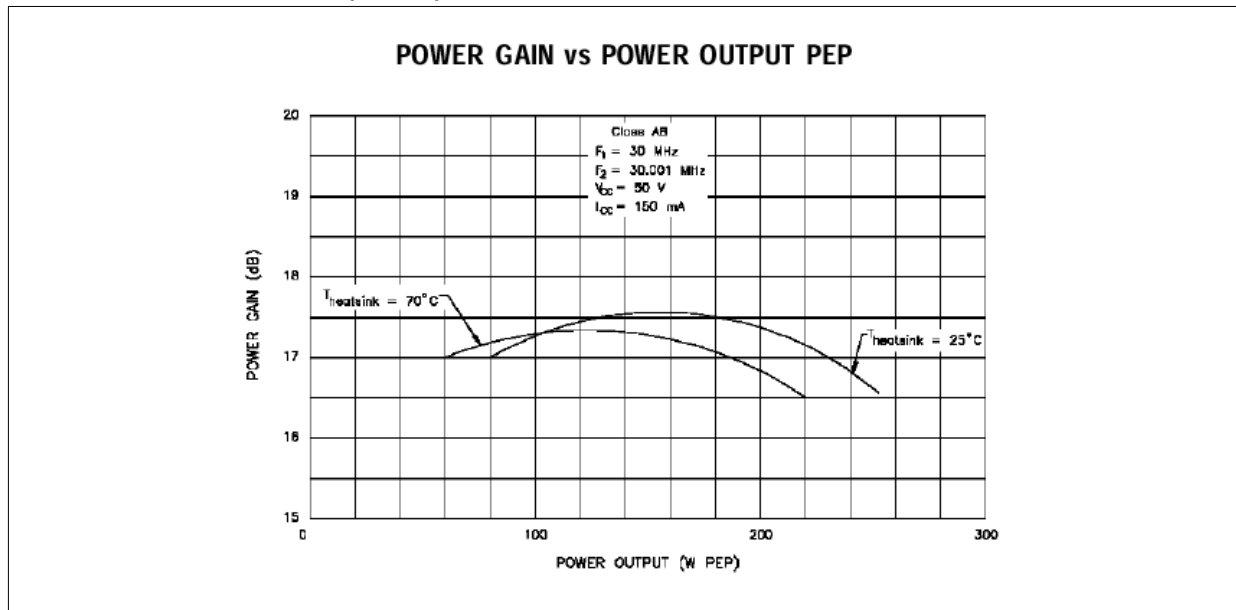
COLLECTOR EFFICIENCY vs POWER OUTPUT PEP



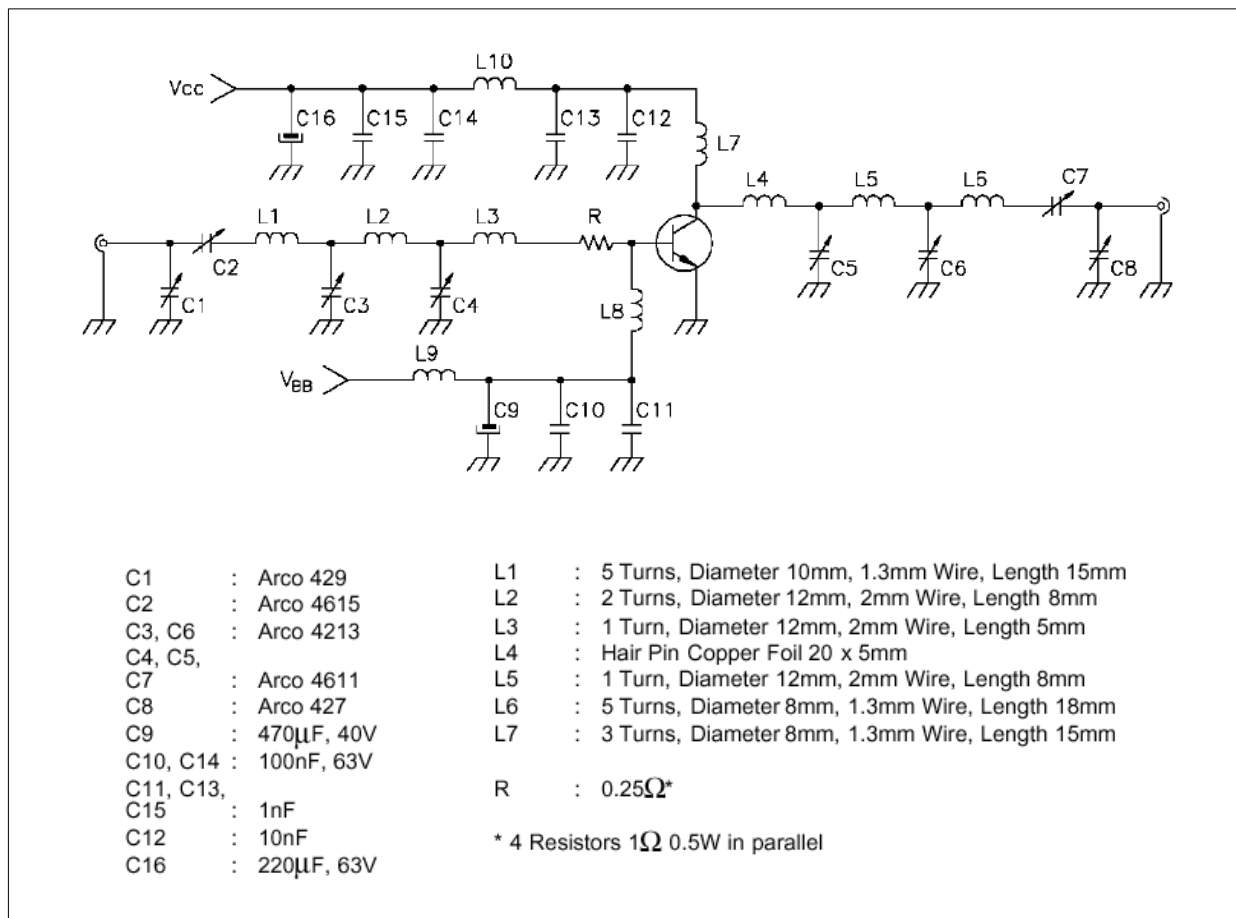
INTERMODULATION DISTORTION vs POWER OUTPUT PEP



TYPICAL PERFORMANCE (cont'd)



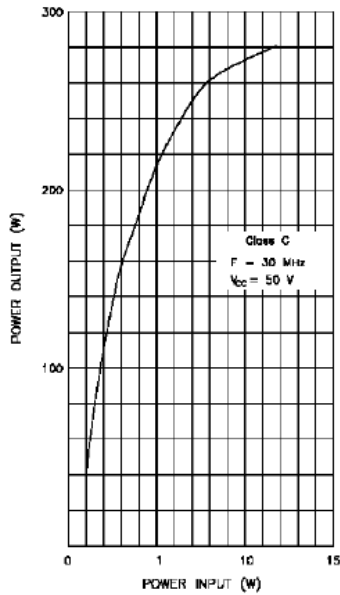
TEST CIRCUIT SSB - CLASS AB - 30 MHz



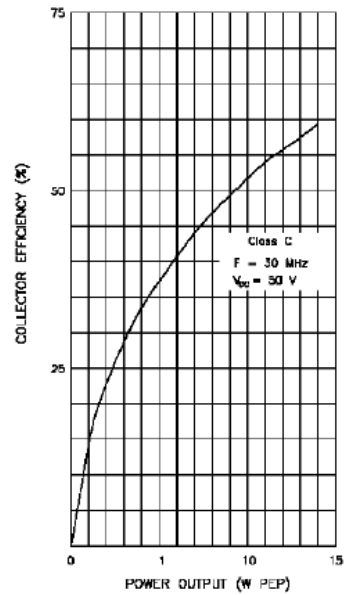
## TYPICAL PERFORMANCE

## CLASS C F = 30 MHz

POWER OUTPUT vs POWER INPUT

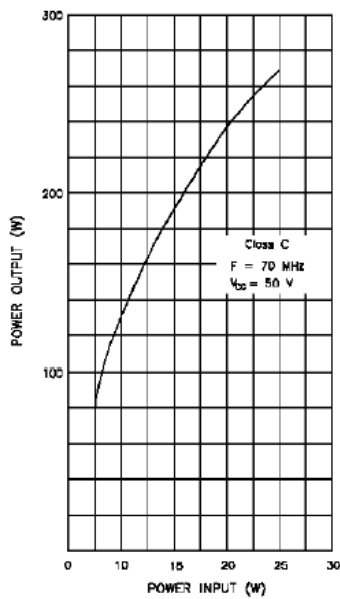


COLLECTOR EFFICIENCY vs POWER OUTPUT

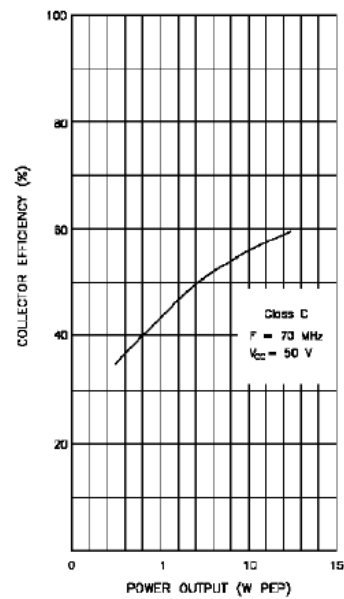


## CLASS C F = 70 MHz

POWER OUTPUT vs POWER INPUT

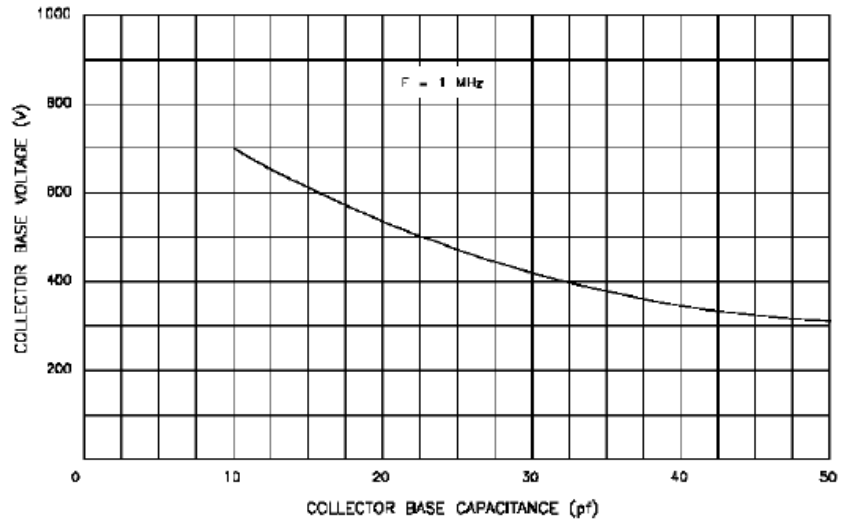


COLLECTOR EFFICIENCY vs POWER OUTPUT

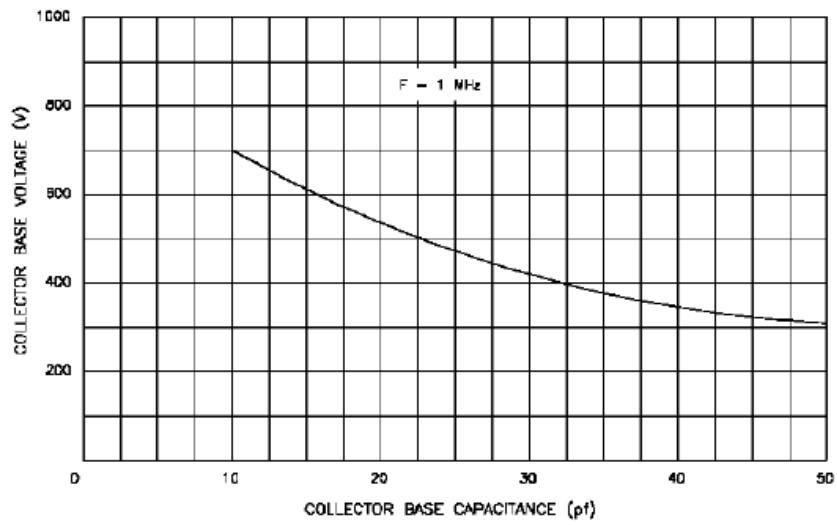


TYPICAL PERFORMANCE (cont'd)

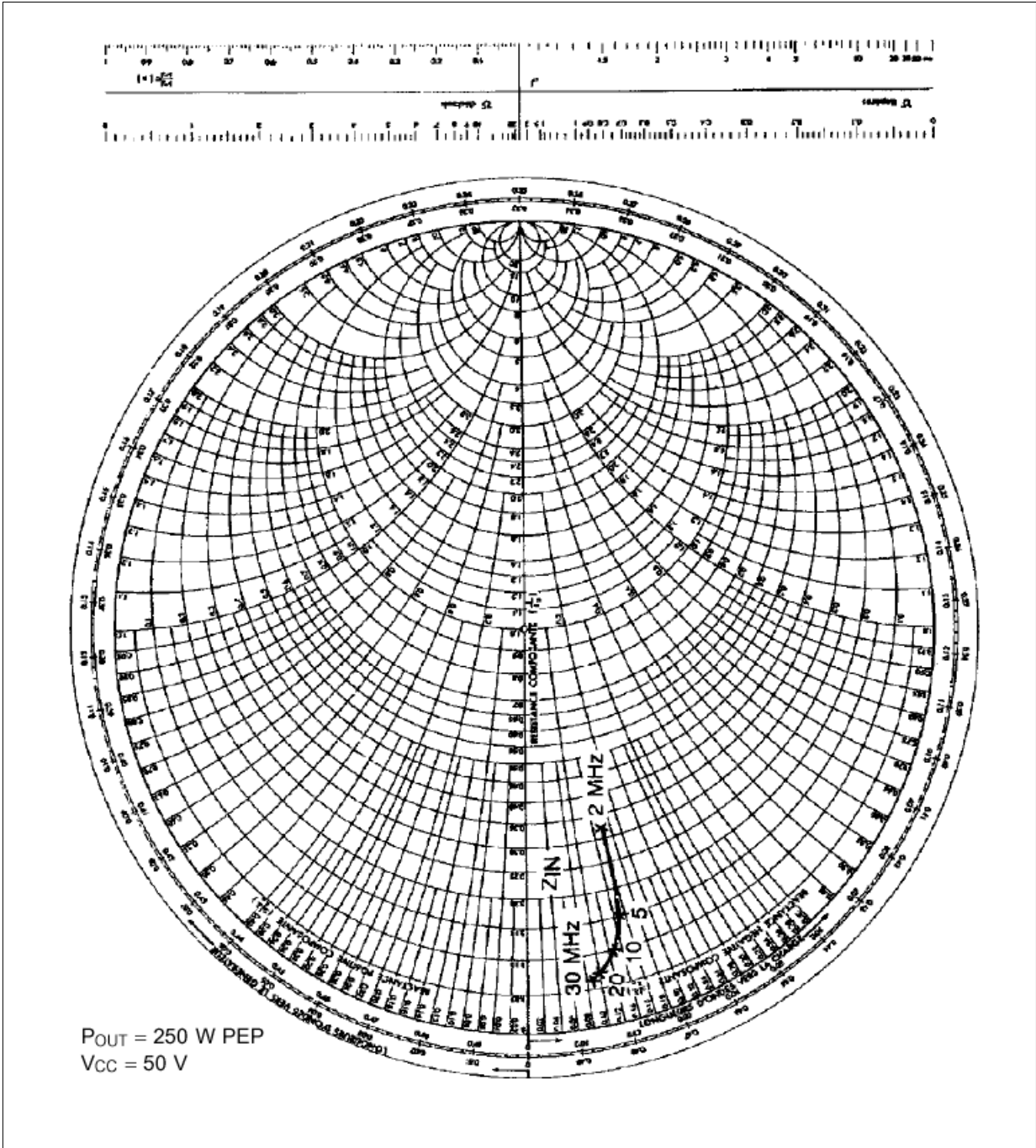
COLLECTOR BASE CAPACITANCE vs COLLECTOR BASE VOLTAGE



DC SAFE OPERATING AREA

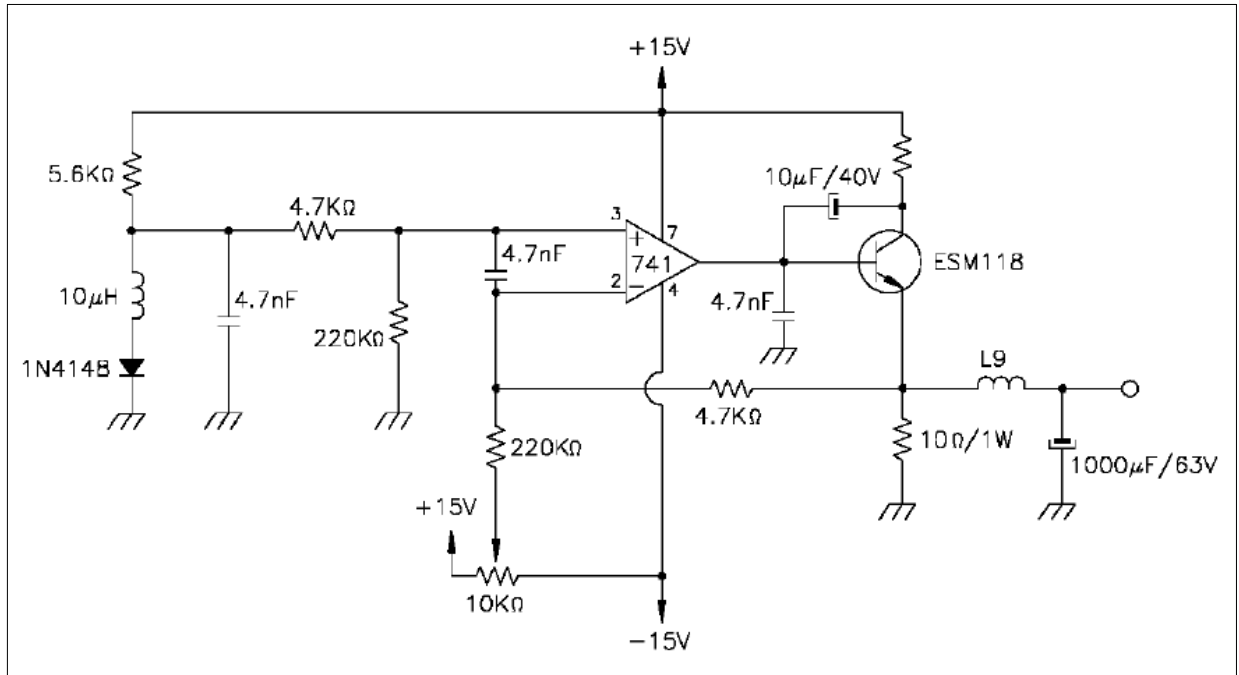


IMPEDANCE DATA (TYPICAL)

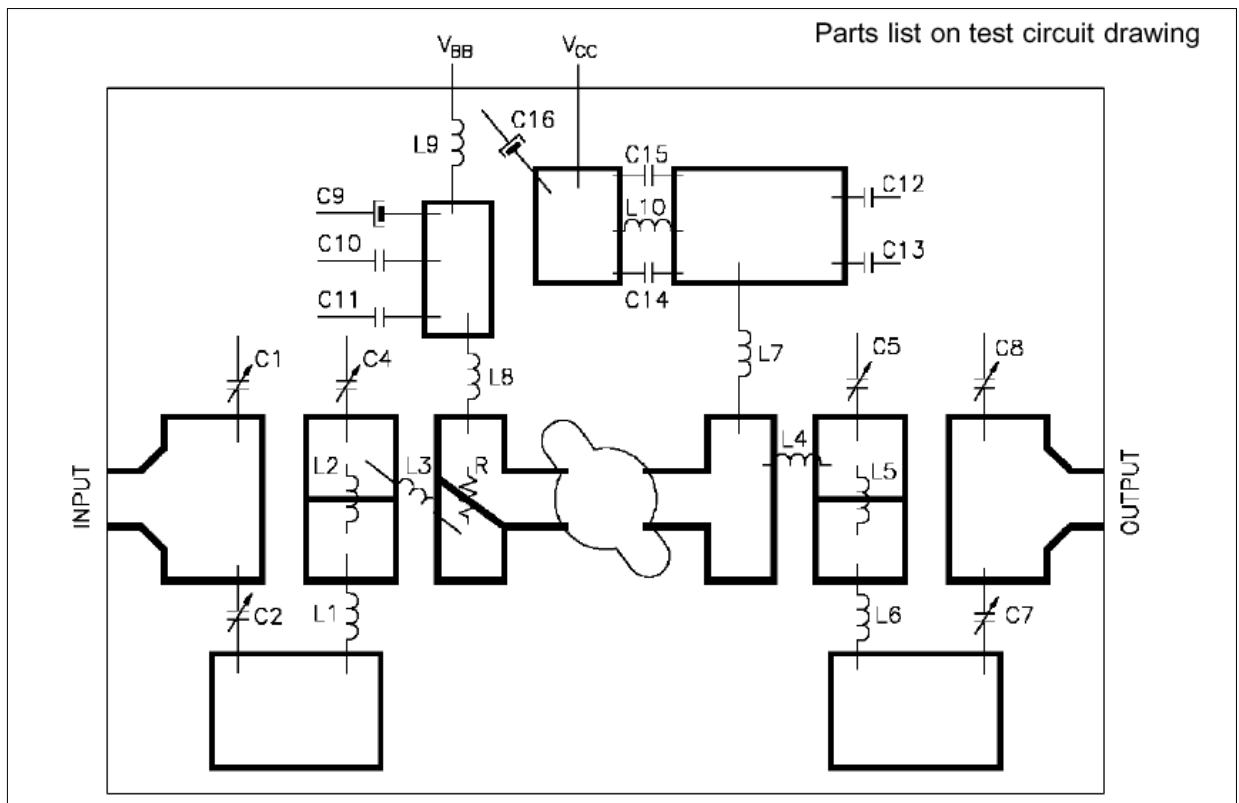


# SD1728 (TH430)

## BIAS CIRCUIT



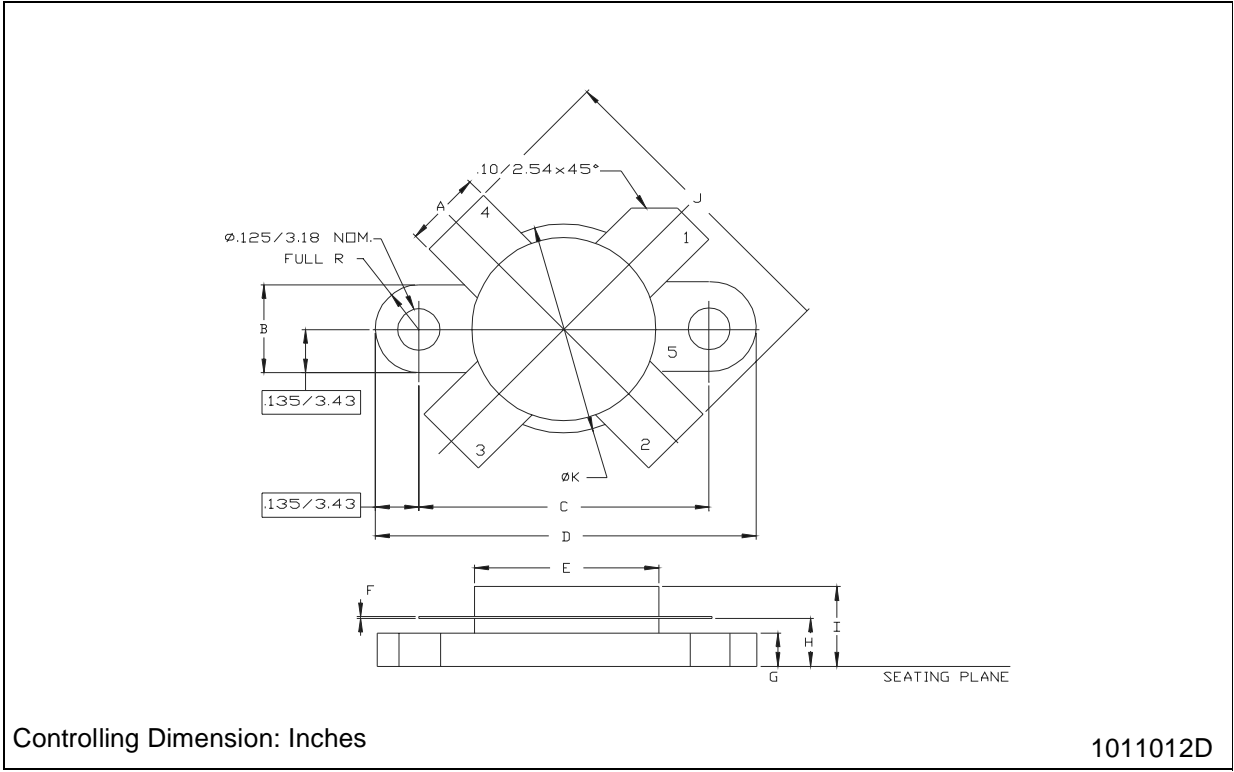
## MOUNTING CIRCUIT





M177 (.550 DIA 4/L N/HERM W/FLG) MECHANICAL DATA

DIM.	mm			Inch		
	MIN.	TYP.	MAX	MIN.	TYP.	MAX
A	5.72		5.97	0.225		0.235
B	6.73		6.96	0.265		0.275
C	21.84		22.10	0.860		0.870
D	28.70		28.96	1.130		1.140
E	13.84		14.10	0.545		0.555
F	0.08		0.18	0.003		0.007
G	2.49		2.74	0.098		0.108
H	3.81		4.32	0.150		0.170
I			7.11			0.280
J	27.43		28.45	1.080		1.120
K	15.88		16.13	0.625		0.635



Information furnished is believed to be accurate and reliable. However, STMicroelectronics assumes no responsibility for the consequences of use of such information nor for any infringement of patents or other rights of third parties which may result from its use. No license is granted by implication or otherwise under any patent or patent rights of STMicroelectronics. Specifications mentioned in this publication are subject to change without notice. This publication supersedes and replaces all information previously supplied. STMicroelectronics products are not authorized for use as critical components in life support devices or systems without express written approval of STMicroelectronics.

The ST logo is registered trademark of STMicroelectronics  
© 2003 STMicroelectronics - All Rights Reserved

All other names are the property of their respective owners.

STMicroelectronics GROUP OF COMPANIES  
Australia - Brazil - Canada - China - Finland - France - Germany - Hong Kong - India - Israel - Italy - Japan -  
Malaysia - Malta - Morocco - Singapore - Spain - Sweden - Switzerland - United Kingdom - U.S.A.

<http://www.st.com>